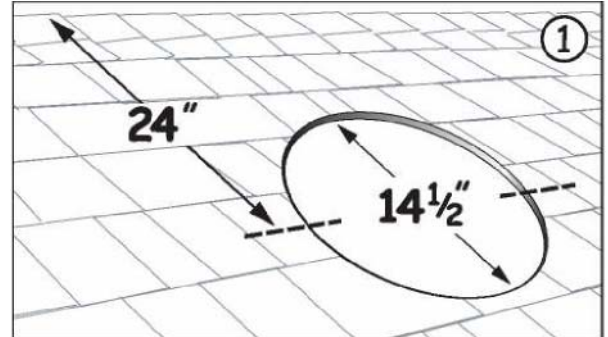


Installation Sheet

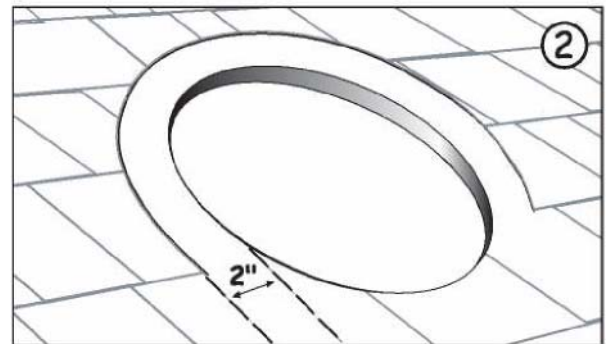
Models #FB850, FB1050, FB1250
(including FB850FT, FB1050FT, and FB1250FT)

NOTE: For best operation, install solar fan where it will receive direct sunlight. A South or West facing slope will work best.

1.) Cut a 14 1/2" diameter hole between rafters approximately 24"-30" down from roof peak to center of hole.



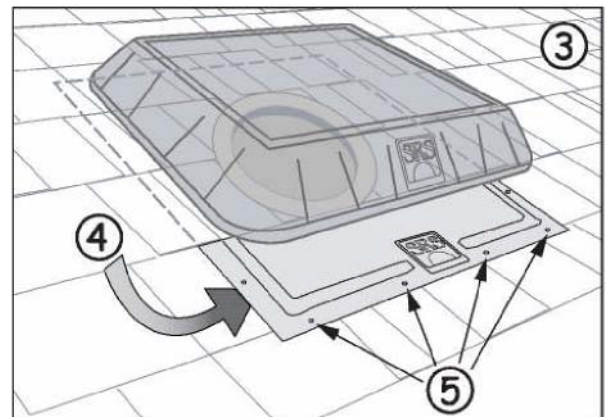
2.) Trim away top rows of shingles an additional 2" to allow base flashing to slip under top rows of shingles and over bottom rows.



3.) Slip the flat base under the top rows of shingles and center unit over opening with the SRS Logo on the bottom.

4.) Gently lift the unit and apply sealant under lower edge and sides of base flashing.

5.) Pre-drill (4) mounting holes along the bottom edge of the base flashing, and (1) hole on each side approximately 2" up from the bottom edge.



6.) Use exterior-grade screws to secure unit to roof deck. Apply sealant to screw heads.

**DO NOT OVER-TIGHTEN SCREWS, AS THIS MAY CAUSE
UNIT BASE TO CRACK OVER TIME.**



SunRise Solar, Inc. • P.O. Box 53 St. John, IN 46373
(219)-558-2211, (219) 306-4571 fax